

ARC

T1.7

AZC-SI

1	1
2	1
3	1
4	2
5	2

ARC-28(F)/Z-L

1	3
2	3
3	3
4	3
5	4
6	5
7	11
8	11

ARC-28(F)/Z-USB-L

1	12
2	12
3	12
4	13
5	14
6	16
7	22
8	22

ARC-28(F)/Z-USB-L J

1	23
2	23
3	23
4	23
5	24
6	26
7	32
8	32

ARC

1	33
2	33
3	33
4	34
5	35
6	R-C-L	38
7	J(R)-L	43
8	47
9	48

1

AZC-SI

2

2.1

			136	LED	6	7
32	24					

2.2

	32	24				
	32	1-32				LED
	2	LED			C1 C2	
	24	1-24				LED
	3	LED			A B C	
	6					

A		A
B		B
C		C
	7	4

A		A		
B		B		
C		C		
7		A B C		5s

3

3.1

AC380V± 30% 50Hz
 4VA
 * * 144mm*144mm*110mm
 138mm*138mm



3.2

-25 ~55

2000m

40 20~90%

79.5~106.0Kpa

4

4.1



UA UC

380V

4.2

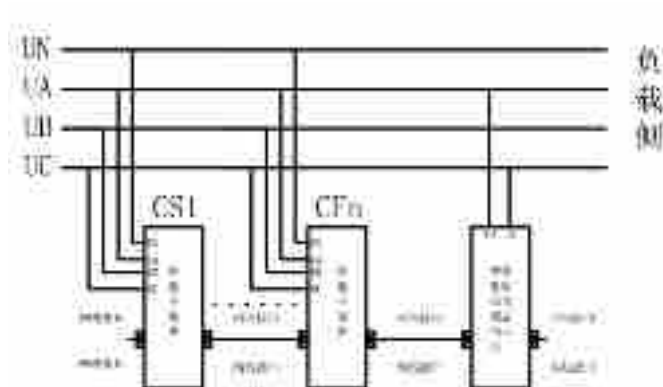
RJ45



2 RJ45

RJ45

4.3



5

1

2

3

1

ARC-28(F)/Z-L(F))

2

JB/T 9663-2013

3

ARC-28(F)/Z-L	ARC-28 F /Z-L 28

4

4.1

AC 220V± 20% 50Hz± 10%

AC 220V± 20% 50Hz± 10%

AC 0-5A

28

12VA

100mA

1.0

1.0

0.5

1.0

2.5

0.1

144mm*144mm*110mm

138mm*138mm

4.2

-25 +65

2000m

40 20-90%

79.5-106.0Kpa

4.3

5

5.1

1



2

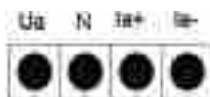


3



5.2

5.2.1

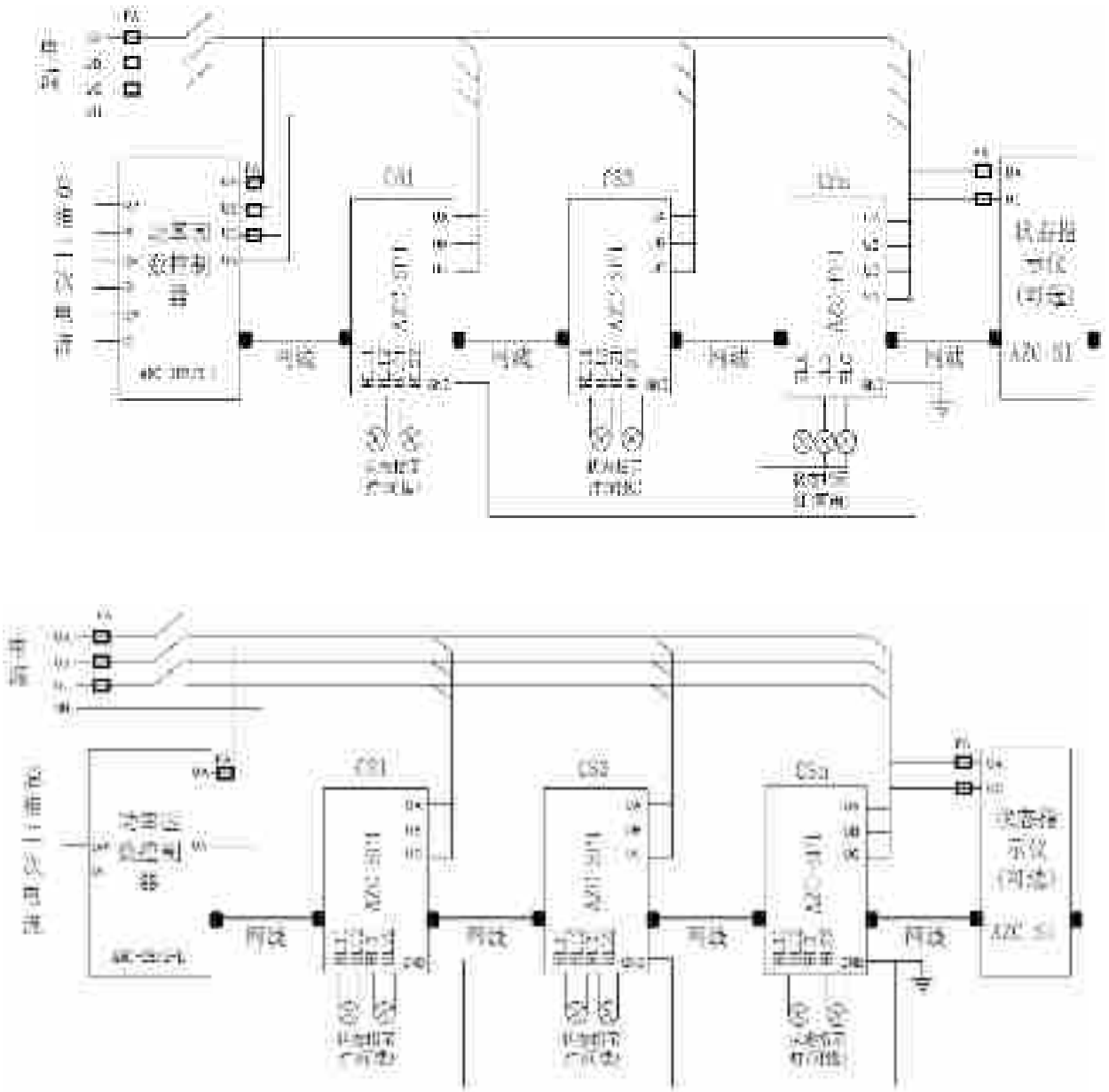


RJ45



RJ45

RJ45



CT

CT

CT

6

6.1

6.1.1



6.1.2

" ESC"

" "

" "

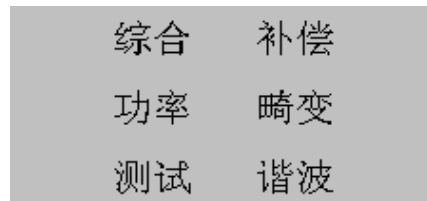
" ←"

" SET"

6.2



6.2.1



" ESC"

" " " "

" ←"

6.2.2

6.2.2.1

PF	1.00	THDu	0.23%
U	220.2	THDi	0.79%
I	50.73	FREQ	50HZ
联网电容数量: 00			

PF

V

I

FREQ

THDu

THDi

" ESC"

6.2.2.2

	PF	U	I
A	1.00	220.1	0.000
B	1.00	220.2	0.000
C	1.00	220.3	0.000

联网电容数量

PF A B C

U A B C

I A B C

" ESC"

6.2.3

A	8.81KW	11.02KVA
B	8.81KW	11.02KVA
C	8.81KW	11.02KVA
T	26.35KW	32.1VA
A	6.81KVar	+
B	6.82KVar	

" ESC"

6.2.4



" ESC"

" ←"

C03	C04	C05	C06	C07
C08				
C09	C10	C11	C12	C13
C14				

C03, C28

" ←"

" " " "

" ESC"

C03 C04 C05 C06 C07
 C08
 C09 C10 C11 C12 C13

C03, C28

" ← "

" " " "

" ESC "

6.2.5



6.2.5.1



" ESC "

6.2.5.2

C03 C04 C05 C06 C07
 C08
 C09 C10 C11 C12 C13

C03, C28

" ← "

" " " "

" ESC "

6.2.6

	THDu	THDi
A	0, 43	0, 53
B	0, 99	0, 81
C	0, 66	0, 62

A B C

A B C

" ESC "

6.2.7

6.2.7.1

	THDu (%)	THDi (%)
03	0.43	0.53
05	0.99	0.81
07	0.66	0.62
09	0.29	0.50
11	0.38	0.69

" ESC"

" " " "

/

6.2.7.2

TIME	A	B	C
03	0.43	0.53	0.76
05	0.99	0.81	0.91
07	0.66	0.62	0.89
09	0.29	0.50	0.41
11	0.38	0.69	0.58

A B C

A B C

" ESC"

" " " "

/

6.3



" " " ←" " 5

" " " 00001

" " " " " " " " " ←"



		00000-99999	5	
			00001	
		000s-999s		000
		3P4L 3P3L		3P4L
		Y/N	N	
		Auto Net Hand	Auto Net Hand Auto	

	CT	0000-9999	100/5	20	
		0.80-1.00	0.94		
	Kvar	00.0-99.9	000.0	0	
		000s-999s		10s	
		000s-999s	60s		
		0-28		20	
		000-999V	0.5		180V
		000-999V	0.5	5V	5V
			265V		
		00.0%-99.9%		0.5	20%
		00.0%-99.9%		0.5	20%
		1200 4800 9600 19200 38400 195200		38400	
		NONE ODD EVEN		NONE	
		1bit 2bit		1bit	
		485	485	485	
		0000-9999			ENT
				USB	

6.4

Hardver A001
Softver S002
Sn 201603030001
Edition 1.0.0.1

Hardver

Softver

Sn

Edition

7

7.1

7.2

-25-70

85%

7.3

7.4

8

1

2

3

1

ARC-28 F /Z-USB-L(F)

USB

2

JB/T 9663-2013

3

1

ARC-28 F /Z-USB-L			1.0
			1.0
			1.0 2.5
			0.5
			<0.5 /
			± 5%
			A B C A B C A B C A B C A B C 2-21
			USB
			A B C A B C A B C
			256 256
			1 6-12 V 60s 2 60s

		3	
		4	
		5	5%-20% 10%

4

2

1			220V -20%~+20%
			5W
2			6mm 6mm 4mm
			2500V 50Hz 1Min
3			0-120% 3× 220V 0-264V
			0-5A 5A
4			-25 +65
			2000m
			90%
			79.5 106.0Kpa
5			-40~70
			95%
6			5%
7			128*64

			IP43
8		32	16Mbyte
9			380V

5

5.1

144*144*110mm

138*138mm

5.2

1



2



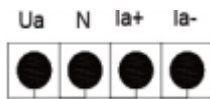
3



5.3

5.3.1

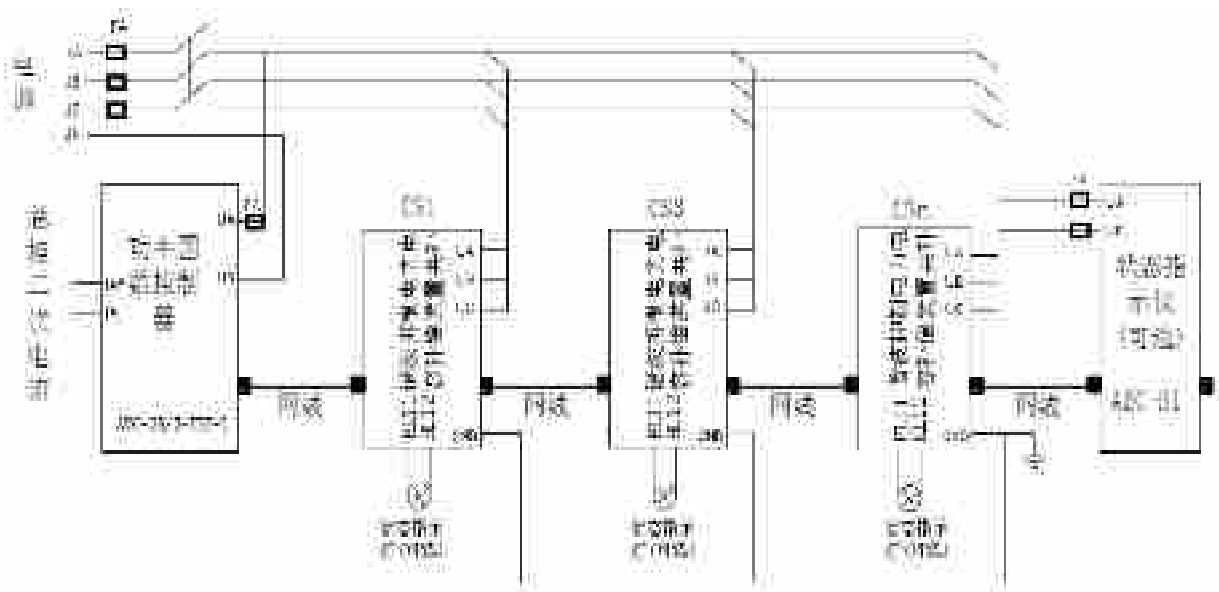
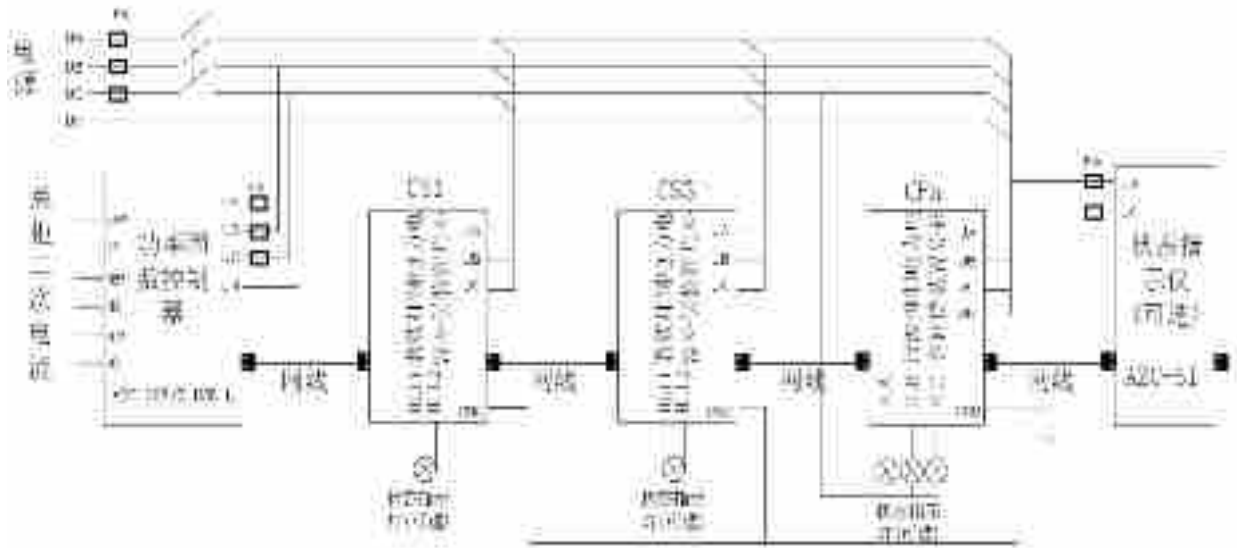




RJ45



5.3.2



CT

CT

CT

6

6.1

6.1.1



6.1.2

" ESC"

" "

" "

" ←"

" SEL"

C3-C26

6.2



6.2.1

综合
功率
补偿
谐波

综合 补偿
功率 畸变
测试 谐波

" ESC"

" " " "

" ← "

6.2.2

6.2.2.1

PF	1.00	THDu	0.23%
U	220.2	THDi	0.79%
I	50.73	FREQ	50HZ
联网电容数量: 00			

PF

V

I

FREQ

THDu

THDi

" ESC"

6.2.2.2

	PF	U	I
A	1.00	220.1	0.000
B	1.00	220.2	0.000
C	1.00	220.3	0.000
联网电容数量			

PF A B C

U A B C

I A B C

" ESC"

6.2.3

A	8.81KW	11.02KVA
B	8.81KW	11.02KVA
C	8.81KW	11.02KVA
T	26.35KW	32 KVA
A	6.81KVar	+
B	6.82KVar	

" ESC"

6.2.4



" ESC"

" ← "

```
C03 C04 C05 C06 C07
C08
C09 C10 C11 C12 C13
```

C03, C28

" ← "

" " " "

" ESC"

```
C03 C04 C05 C06 C07
C08
C09 C10 C11 C12 C13
```

C03, C28

" ← "

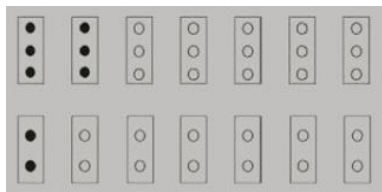
" " " "

" ESC"

6.2.5



6.2.5.1



" ESC"

6.2.5.2

```
C03 C04 C05 C06 C07
C08
C09 C10 C11 C12 C13
```

C03, C28

" ← "

" " " "

" ESC"

6.2.6

	THDu	THDi
A	0.21%	0.00%
B	0.31%	0.00%
C	0.07%	0.00%

A B C

A B C

" ESC"

6.2.7

6.2.7.1

	THDu(%)	THDi(%)
03	0.43	0.53
05	0.99	0.81
07	0.66	0.62
09	0.29	0.50
11	0.38	0.69

" ESC"

" " " " /

6.2.7.2

THDu(%)	A	B	C
03	0.43	0.53	0.76
05	0.99	0.81	0.91
07	0.66	0.62	0.89
09	0.29	0.50	0.41
11	0.38	0.69	0.58

A B C

A B C

用户输入密码
00000

" ESC"

" " " " /

6.3

" " " ←" " 5

" " " 00001

" " " " " " " " " ←"

系 统
补 偿
通 讯

系统 采集
补偿 记录
通讯 时钟

		00000-99999	5	
			00001	
		000s-999s		

			000	
		3P4L 3P3L		3P4L
		0000-9999	1234	
		000000-999999	000002	
		Y/N	N	
		Auto Net	Auto Net Auto	
CT		0000-9999	500/5 100 100	
		0.80-1.00	0.94	
Kvar		00.0-99.9	000.0 0	
		000s-999s	10s	
		000s-999s	60s	
		0-28	20	
		000-999V	0.5 180V	
		000-999V	0.5 5V 5V 265V	
		00.0%-99.9%	0.5 20%	
		00.0%-99.9%	0.5 20%	
		1200 4800 9600 19200 38400 195200	38400	
		NONE ODD EVEN	NONE	
		1bi t 2bi t	1bi t	

		485	485	485	
	U	Y/N	U	N	
		Y/N		N	
		0-999V		260V	
		0-999V		180V	
		0-999A		110A	
		1-99%		20%	
		0-99	80		
		0-99	10		
		20-130%	100%		
		1-100%	099%		
		1-15%		15%	
	COS	0.00-1.00	0.19		
	COS	0.00-1.00	0.10		
	COS 1	00-99mi n			
	COS 2	00-99mi n			
		000-999mi n		15mi n	
		Y/N		Y	
		0000-9999		ENT	

6.4

Hardver A001
 Softver S002
 Sn 201412010001
 Edition 1.0.0.1

Hardver

Softver

Sn

Edition

6.5

" "

" ← "

7

7.1

7.2

-25-70

85%

7.3

7.4

8

1

2

3

1

ARC-28(F)/Z-USB-L(J)

2

JB/T 9663-2013

3

ARC-28 F /Z-USB-L J	ARC-28 F /Z-USB-L J 28

4

4.1

AC 220V± 20% 50Hz± 10%

AC 220V± 20% 50Hz± 10%

AC 0-5A

28

: 12VA

100mA

1.0

1.0

0.5

1.0

2.5

0.1

144mm*144*110mm

138mm*138mm

4.2

-25 +65

2000m

40 20-90%

79.5-106.0Kpa

4.3

5

5.1

1



2

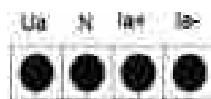
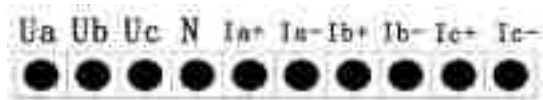


3



5.2

5.2.1



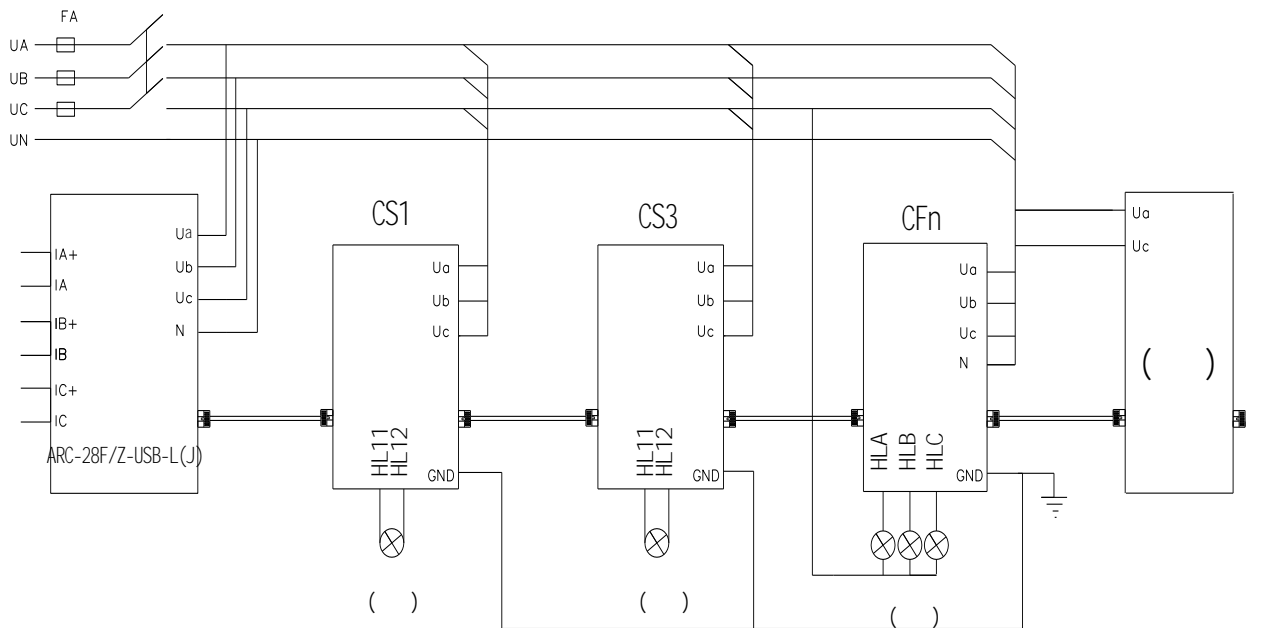
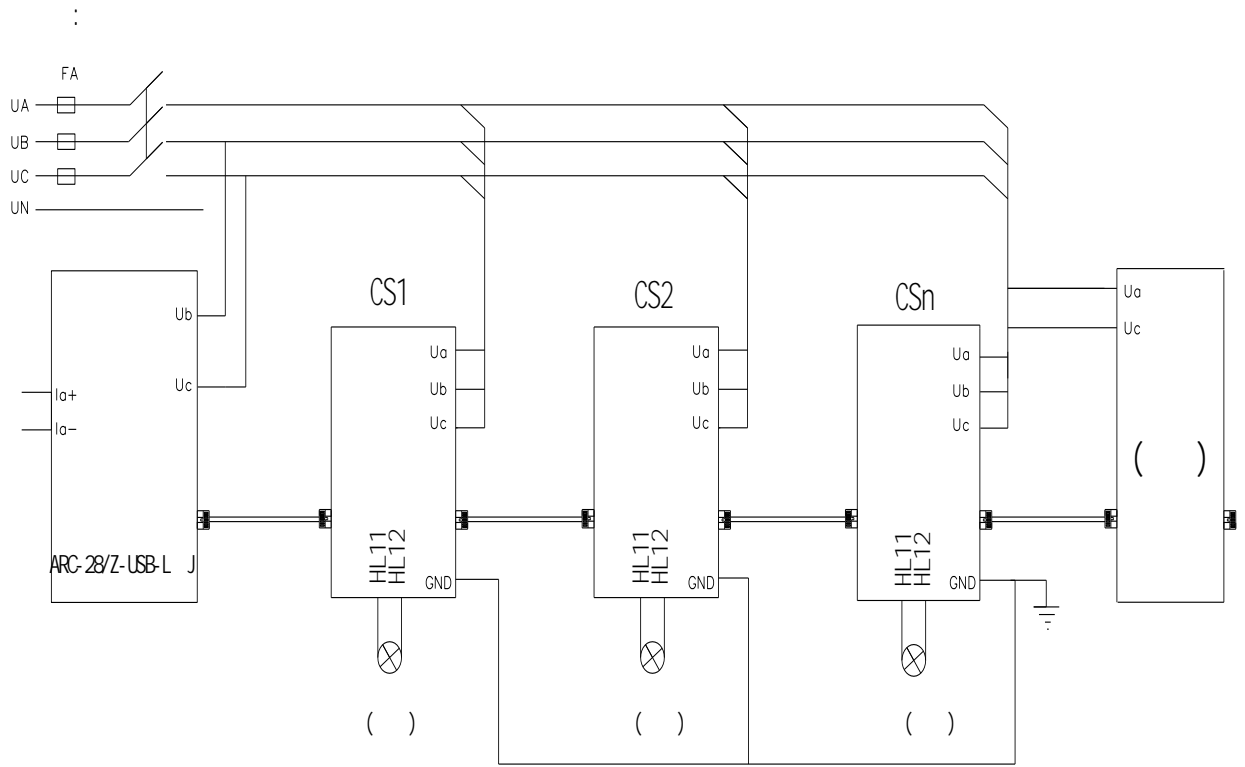
RJ45



RJ45

RJ45

5.2.2



CT

CT

CT

6

6.1



6.2



6.2.1

“ESC”

“ ” “ ”

“ ”

6.2.2

P	1.00	THDu	0.238
U	220.1	THDi	0.744
I	50.73	FREQ	50.02
有功电容量: 0.00			

6.2.2.1

PF

V

I

FREQ

THDu

THDi

“ESC”

6.2.2.2

	PF	U	I
A	1.00	220.1	0.000
B	1.00	220.2	0.000
C	1.00	220.3	0.000

PF A B C

U A B C

I A B C

“ESC”

6.2.3

	8.81KW	11.02KVA
	8.81KW	11.02KVA
	8.81KW	11.02KVA
	26.35KW	32.97KVA
A	6.81 KVar	+
B	6.82 KVar	
C	6.83 KVar	
T	19.84KVar	

“ESC”

6.2.4



“ESC”

“ ”

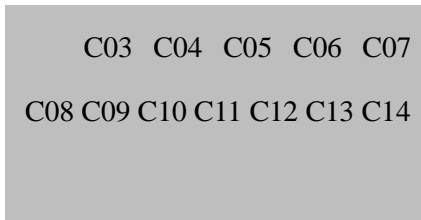
C03 C04 C05 C06 C07 C08
C09 C10 C11 C12 C13 C14

C03...C28

“ ← ”

“ ” “ ”

“ESC”



C03...C28

“ ← ”

“ ” “ ”

“ESC”

6.2.5



6.2.5.1



“ESC”

6.2.5.2

C03...C28

“ ← ”

“ ”

“ ”

“ESC”

6.2.6



A B C

A B C

“ESC”

6.2.7

6.2.7.1

	THDU(A)	THDU(B)
03	0.43	0.53
05	0.89	0.81
07	0.66	0.62
09	0.29	0.50
11	0.38	0.69

“ESC” “ ” “ ” /

6.2.7.2

THDU(A)	A	B	C
03	0.43	0.53	0.78
05	0.89	0.81	0.91
07	0.66	0.62	0.89
09	0.29	0.50	0.41
11	0.38	0.69	0.58

A B C “ESC” “ ” “ ” /

6.3

“ ” “ ← ” “ ” 5
“ ” 00001



“ ” “ ” “ ” “ ← ”

系 统
补 偿
通 讯

系 统 采 集
补 偿 记 录
通 讯 时 钟

		00000-99999	5	
			00001	

	000s-999s		000	
	3P4L 3P3L		3P4L	
	0000-9999		1234	
	000000-999999		000002	
	Y/N		N	
	Auto Net	Auto Net	Auto	
CT	0000-9999	500/5	100 100	
	0.80-1.00		0.94	
Kvar	00.0-99.9	000.0	0	
	000s-999s		10s	
	000s-999s		60s	
	0-28		20	
	000-999V	0.5	180V	
	000-999V	0.5 5V 265V	5V	
	00.0 ~99.9		0.5 20	
	00.0 ~99.9		0.5 20	
	1200 4800 9600 19200 38400 195200		38400	

	NONE ODD EVEN		NONE	
	1bi t 2bi t		1bi t	
	485	485	485	
U	Y/N	U	N	
	Y/N		N	
	0-999V		260V	
	0-999V		180V	
	0-999A		110A	
	1-99		20	
	0-99		80	
	0-99		10	
	20-130		100	
	1-100		099	
	1-15		15	
COS	0.00-1.00		0.19	
COS	0.00-1.00		0.10	
COS 1	00-99mi n			
COS 2	00-99mi n			
	000-999mi n		15mi n	
	Y/N		Y	
	0000-9999		ENT	

6.4

Hardver

Softver

Sn

Edi ti on

7

7.1

7.2

-25-70

85%

7.3

7.4

8

1

2

3

1

ARC

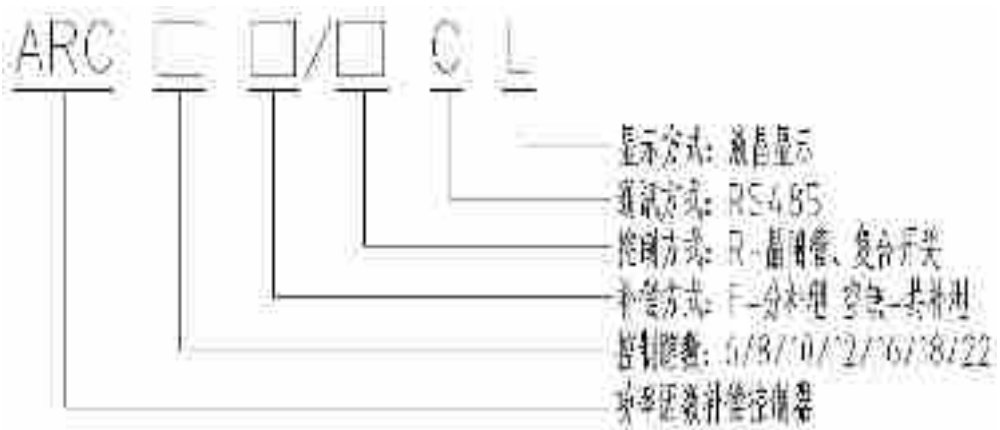
MCU

2

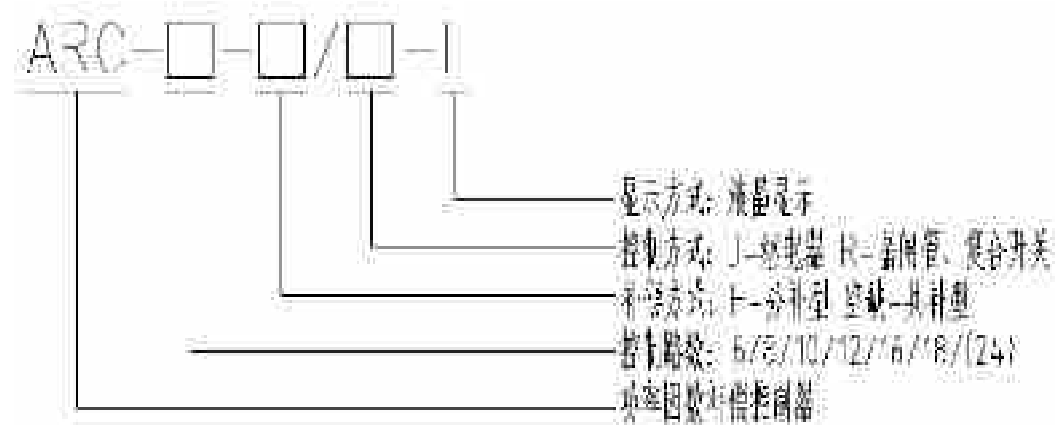
JB/T 9663-2013

3

C R-C-L :



C J(R)-L



1

C	ARC-6 8 10 12 16 18 22 F/R-C-L		
	ARC-6 8 10 12 16 18 22 /R-C-L		
(C)	ARC-6 8 10 12 16 18 24 F/R-L		
	ARC-6 8 10 12 16 18 24 /R-L		
	ARC-6 8 10 12 16 18 F/J-L		
	ARC-6 8 10 12 16 18 /J-L		

<p>ARC-x x /x x x</p>	

4

4.1

AC 220V± 20% 50Hz± 10%

AC 220V± 20% 50Hz± 10%

AC 0-5A

22

18

24

12VA

100mA

1.0

1.0

0.5

1.0

2.5

0.1

144mm*144mm*92mm

138mm*138mm

4.2

-25 +65

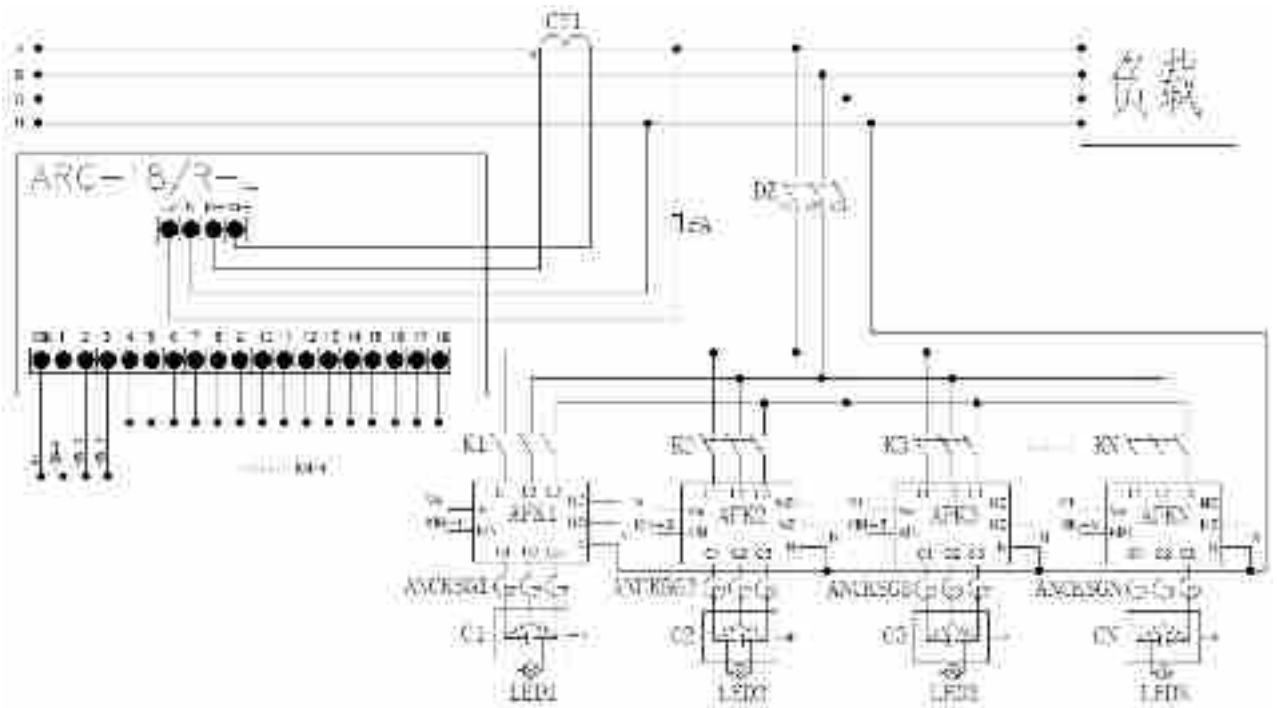
2000m

40 20-90%

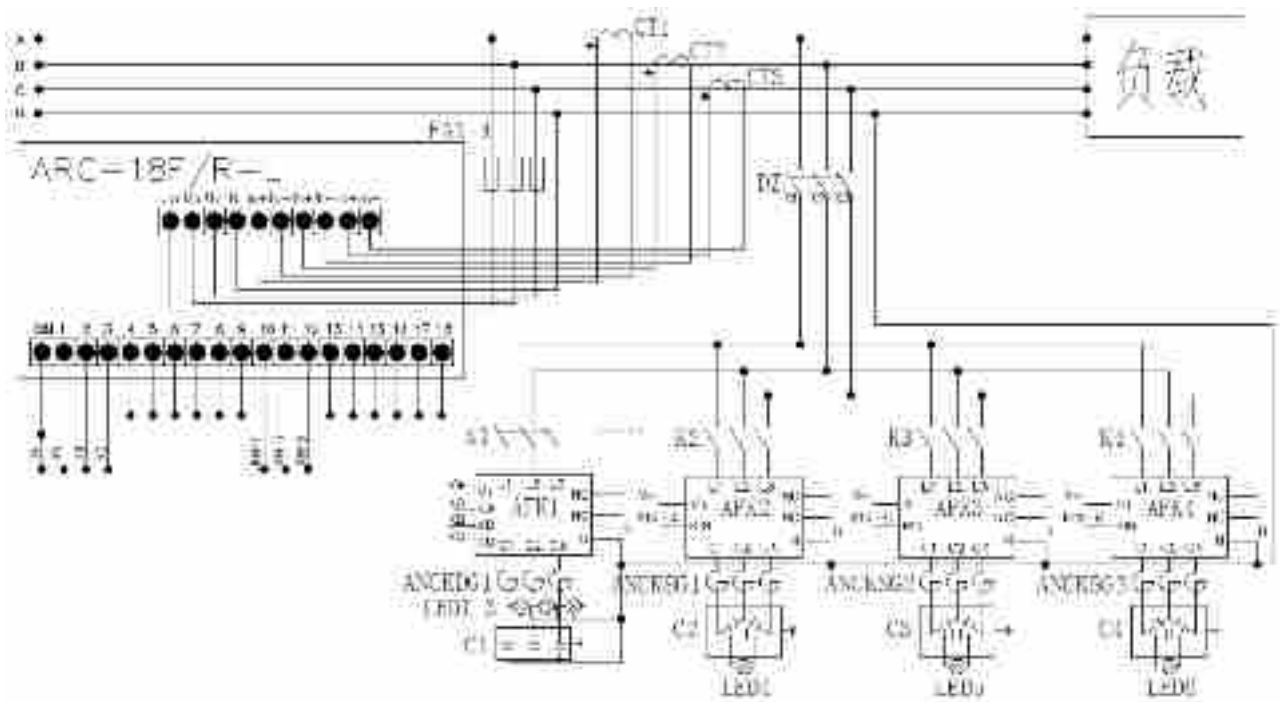
79.5-106.0Kpa

5.2.2

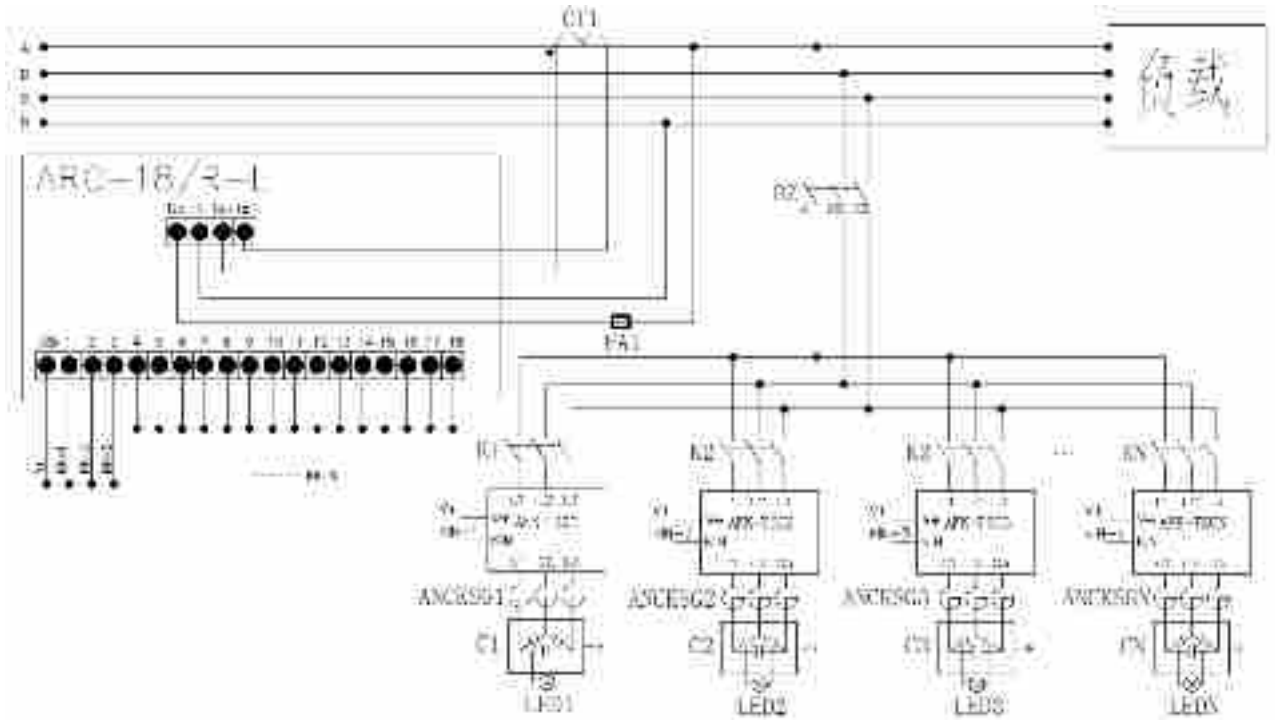
5.2.2.1



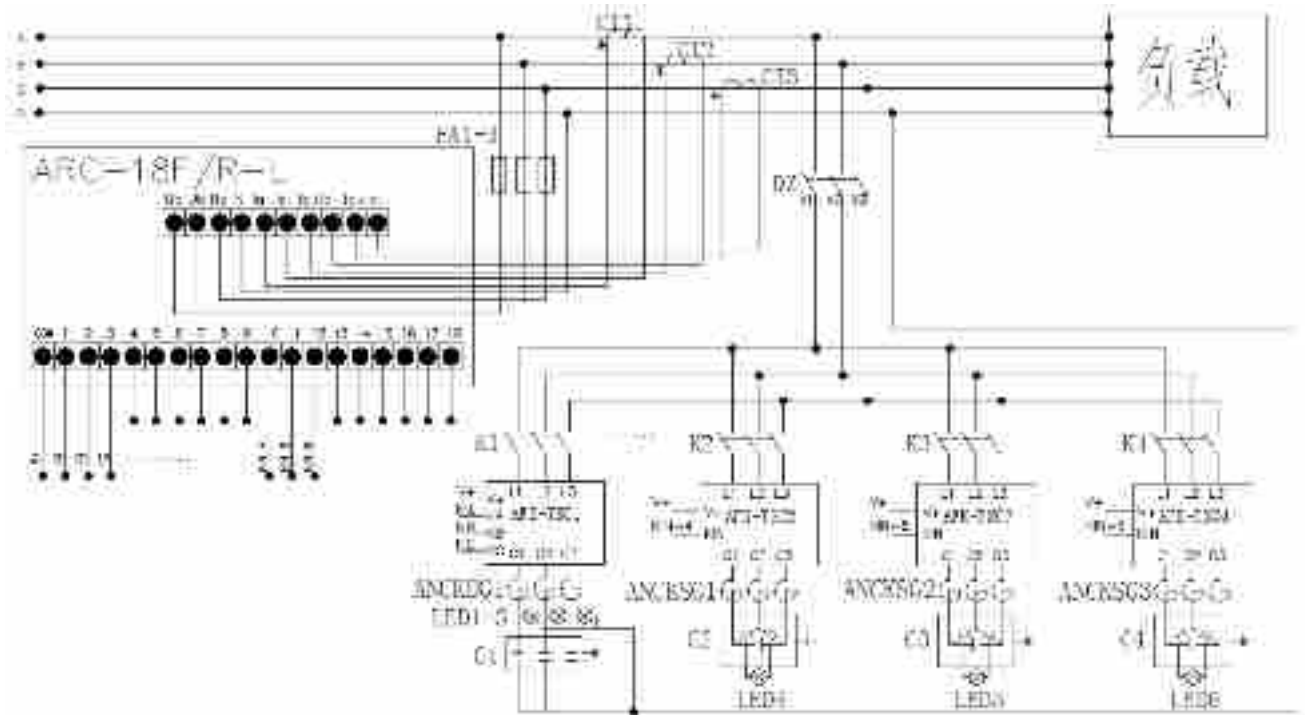
5.2.2.2



5.2.2.3



5.2.2.4



6.2



6.2.1

综合 补偿
功率 畸变
测试 谐波

" ESC"

" " " "

" ←"

6.2.2

6.2.2.1

PF	1.00	THDu	0.23%
U	220.2	THDi	0.79%
I	50.73	FREQ	50HZ
联网电容数量: 00			

PF

V

I

FREQ

THDu

THDi

" ESC"

	PF	U	I
A	1.00	220.1	0.000
B	1.00	220.2	0.000
C	1.00	220.3	0.000
联网电容数量			

6.2.2.2


PF A B C

U A B C

I A B C



























" ESC"

6.2.3

A	8.81KW	11.02KVA
B	8.81KW	11.02KVA
C	8.81KW	11.02KVA
T	26.35KW	32 KVA
A	6.81KVar	
B	6.82KVar	

" ESC"

6.2.4

												
												
▲	▲	▲	▲	▲	▲	▲	▲	▲	▲	▲	▲	▲
0.99	220.0	50.06										
0.99	0.000	0.000										
0.99	0.000	0.000										

" "

" "

" ↵"

" ESC"



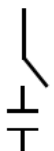
6.2.5

" ←"

/

												
												
▲	▲	▲	▲	▲	▲	▲	▲	▲	▲	▲	▲	▲
<input checked="" type="checkbox"/>												
0.99												

切除



投入



预切除



预投入



" ESC"

0.99	220.0	50.06
0.99	0.000	0.000
0.99	0.000	0.000

" "

" "

" ↵"

" ESC"

	THDu	THDi
A	0.21%	0.00%
B	0.31%	0.00%
C	0.07%	0.00%

6.2.6

A B C

A B C

" ESC"

6.2.7

6.2.7.1

	THDu(%)	THDi(%)
03	0.43	0.53
05	0.99	0.81
07	0.66	0.62
09	0.29	0.50
11	0.38	0.69

" ESC"

" " " "

/

6.2.7.2

	THDu(%)		
	A	B	C
03	0.43	0.53	0.76
05	0.99	0.81	0.91
07	0.66	0.62	0.89
09	0.29	0.50	0.41
11	0.38	0.69	0.58

A B C

A B C

" ESC"

" " " "

/

21

6.3

" " " ←"

"

"

5

" "

00001

用户输入密码
00000

" " " " " " " " " " ←"

系统设置
补偿设置
电容参数

6.3.1

CT变比 0100
用户密码 00001
背光延时 009Sec
终端地址 02

" " " " " " ←" " " "
" ESC" " " " " "
" " " " " " ←" " " "

功率因数 0.940	三相路数 18
切除 KVAR 0.00	欠压设置 180V
输出延时 0100 0MS	过压设置 265V
切除延时 040S	电压畸变 20.0%

" ESC" " " " " "

6.3.3

" " " " " " ←" " " "

01 路三相 020.0
02 路三相 020.0
03 路三相 020.0
04 路三相 020.0

" ESC" " " " " "

6.4

Hardver A001
 Softver S002
 Sn 201412010001
 Edition 1.0.0.1

Hardver

Softver

Sn

Edition

:



7

J(R)-L



7.1

7.2

A

" "

kw COS % V A F Hz kvar

cos -0.99
A

011.0
A

220.0
A

000.2
A

050.3
A

F50.0
A

B

C-01

" ESC" " " " " " " " ←"

" "

" " " " " " " ←" " ←"

" "

" "

" ←"

" ←"

" ESC"

7.3

" ESC" " " " " " " " ←" " "

7.3.1

" "

" "

" ←"

100 1000/5 200

0100

7.3.2

099

099

7.3.3

0.94 0.8- 1.0

0.94
COS

7.3.4

00.0

00.0

7.3.5

10

010

7.3.6

" " " ← "

60

060

7.3.7

" " " " " " " ← "

ABC	ABC	3	18
1-18	0		
1-18	0		
1 2 3	A B C		
4 5 6	A B C		
.....			
16 17 18	A B C		
	9	5	
1 2 3	A B C		
4 5 6	A B C		
7 8 9	A B C		
10-14			

009

003

7.3.8

" "

1 1111

2 8888

1 1111 5kvar 10kvar

5kvar 10kvar

" 1111" " ←"

2 8888 " "

" " 0 1 0

" 8888" " ←" " C—0" " "

" C—0" " " " C—1" " ←" " ESC"

" C—0" " " " C—0" " " " C—1"

" ←"

1111

7.3.9

" "

" ←"

6.70

06.7

7.3.10

" "

" ←"

20.0

20.0

7.3.11

180V 0.5

180

7.3.12

265V 0.5 6V

6V

265

7.3.13

20.0%

20.0
%

7.3.14

Modbus

02

002

002

7.4

" ESC"

"

"

"

"

"

"

" ←"

"

"

C-01

5s

8

1

a

5

b

2

" "

5

3

a

b

4

a

b

9

1

2

3

T1.6 T1.7	ARC-28(F)/Z-USB-L(J)	2021.9.24

253

021-69158300 69158301 69158302

021-69158303

800-820-6632

www.acrel.cn

ACREL001@vip.163.com

201801

31

86 0510-86179966 86179967 86179970

86 0510-86179975

214405

JY-ACREL001@vip.163.com